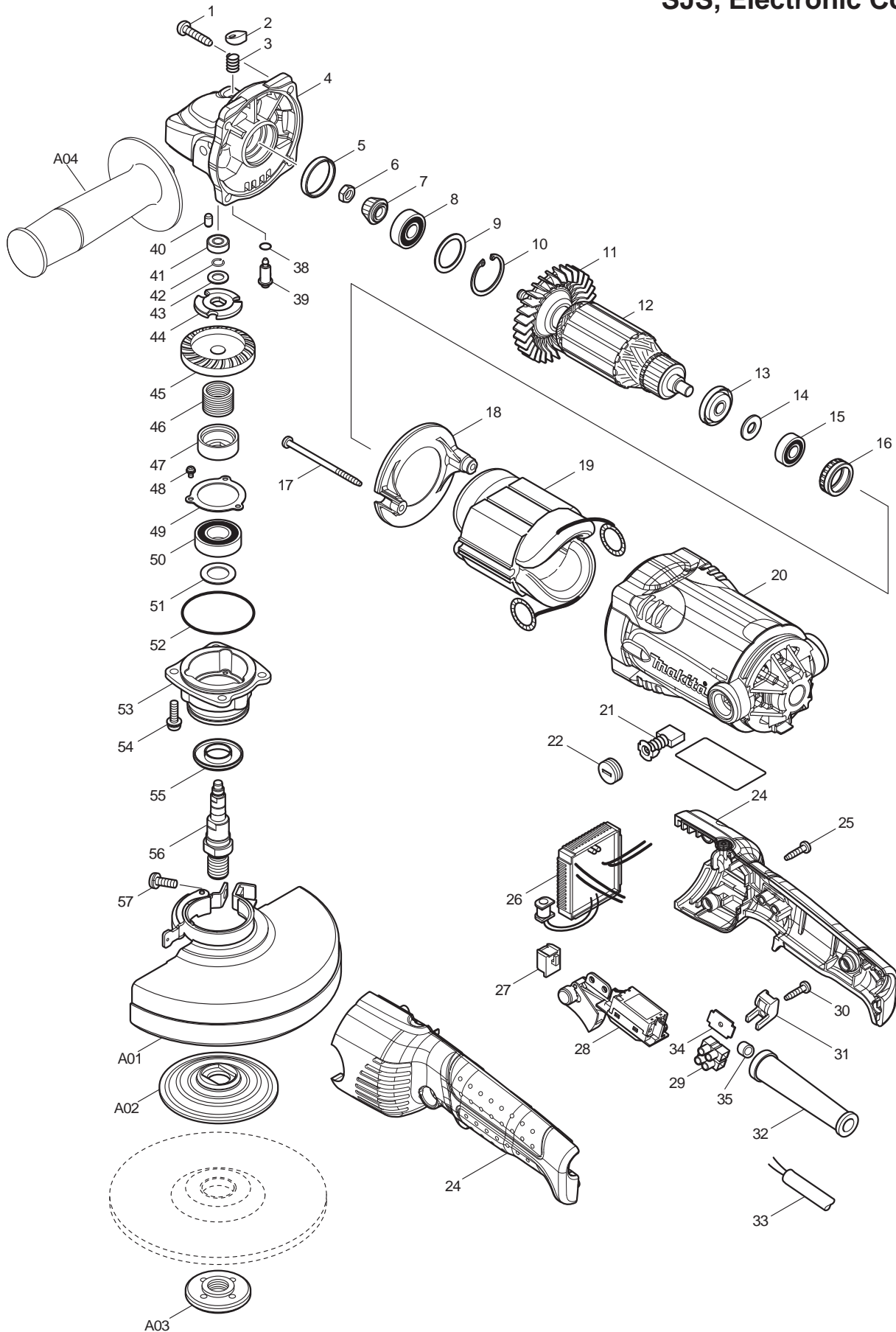




07 - 2010
GA6020C
6" GRINDER
SJS, Electronic Control



Item No	Type	Ref	Part No	Description	Qty	Unit
1			266041-8	TAPPING SCREW 5X25	4	PC.
2			417771-6	PIN CAP	1	PC.
3			234057-1	COMPRESSION SPRING 8	1	PC.
4			318158-4	GEAR HOUSING	1	PC.
5			424051-3	RUBBER RING 26	1	PC.
6			264010-3	HEX.NUT M7	1	PC.
7			227529-3	SPIRAL BEVEL GEAR 11A	1	PC.
8	1		211088-7	BALL BEARING 6000DDW (Steel)	1	PC.
	2		210059-1	BALL BEARING 6000DDW (Nylon)	1	PC.
9			267352-4	FLAT WASHER 22	1	PC.
10			962107-9	RETAINING RING (INT) R-30	1	PC.
11			240094-5	FAN 70	1	PC.
12	1		513726-0	* ARMATURE ASS'Y 115V	1	PC.
		INC.		Item No. 11, 13-15	1	PC.
	2		513796-9	* ARMATURE ASS'Y 115V	1	PC.
		INC.		Item No. 11, 13-15	1	PC.
13			681660-3	INSULATION WASHER	1	PC.
14			267281-1	FLAT WASHER 8	1	PC.
15			210005-4	BALL BEARING 608DDW	1	PC.
16			421720-7	RUBBER RING 22	1	PC.
17			266325-4	TAPPING SCREW 4X70	2	PC.
18			419961-7	BAFFLE PLATE	1	PC.
19	1		525786-0	FIELD ASSEMBLY 115V (TYPE 1)	1	PC.
		INC.	654020-2	RING TERMINAL	2	PC.
		INC.	654501-6	CONNECTOR P-1.25	2	PC.
	2		520069-3	FIELD ASSEMBLY 115V	1	PC.
		INC.	654020-2	RING TERMINAL	2	PC.
		INC.	654555-3	CONNECTOR 34130	2	PC.
20			158409-1	MOTOR HOUSING COMPLETE	1	PC.
		INC.	643751-8	BRUSH HOLDER	2	PC.
		INC.	810341-4	CAUTION LABEL	1	PC.
21	1		194547-5	CARBON BRUSH CB-253 2PC/SET (W/O ORIGIN) - N/L/A	1	SET
	2		194994-0	CARBON BRUSH CB-253 2PC/SET (W/ ORIGIN)	1	SET
22			643750-0	BRUSH HOLDER CAP	2	PC.
24			188450-0	HANDLE SET	1	SET
25			266326-2	TAPPING SCREW 4X18	4	PC.
26			631800-3	CONTROLLER	1	PC.
27			418518-1	SLEEVE	1	PC.
28			651060-1	SWITCH TG933TRA-1	1	PC.
29			654542-2	TERMINAL BLOCK 2P	1	PC.
30			266326-2	TAPPING SCREW 4X18	1	PC.
31			687260-7	STRAIN RELIEF	1	PC.
32			682505-8	CORD GUARD 10-90	1	PC.
33	1		664265-4	CORD WITH PLUG 2P-16-2.5M, SJ	1	PC.
	2		664285-8	CORD WITH PLUG 2P-16-2.5M, SJ	1	PC.
34			424052-1	SPONGE SHEET	1	PC.
35			683240-1	TUBE 10-10.8-15 (F/664285-8)	1	PC.
38			213977-2	O RING 7	1	PC.
39			256505-0	SHOULDER PIN 5	1	PC.
40			263002-9	RUBBER PIN 4	1	PC.
41			210006-2	BALL BEARING 696ZZ	1	PC.
42			233926-3	RING SPRING 7	1	PC.
43			253835-0	FLAT WASHER 8	1	PC.
44			267811-8	LOCK WASHER	1	PC.

Item No	Type	Ref	Part No	Description	Qty	Unit
45			227530-8	SPIRAL BEVEL GEAR 38	1	PC.
46			233957-2	LOCK SPRING 16	1	PC.
47			324833-2	LOCK SLEEVE	1	PC.
48			911003-8	PAN HEAD SCREW M3X6	3	PC.
49			285728-3	BEARING RETAINER 39	1	PC.
50	1		211223-7	BALL BEARING 6002DDW	1	PC.
	2		211236-8	BALL BEARING 6002DDW	1	PC.
51			253853-8	FLAT WASHER 15	1	PC.
52			213624-5	O RING 48	1	PC.
53	1		318160-7	BEARING BOX	1	PC.
	2		318299-6	BEARING BOX	1	PC.
54			265131-4	PAN HEAD SCREW M5X18	4	PC.
55			345464-4	LABYRINTH RING	1	PC.
56			324790-4	SPINDLE A	1	PC.
57	1		265103-9	PAN HEAD SCREW M5X14(F/165488-2)	1	PC.
	2		251391-4	PAN HEAD SCREW M5X16(F/135172-3, 135110-5)	1	PC.
61			253828-7	* FLAT WASHER 10 (ADDED)	1	PC.
D01	1		654037-5	INSULATED TERMINAL FK1.25-M3	1	PC.
	2		654117-7	INSULATING TERMINAL	1	PC.
D02	1		654077-3	INSULATED TERMINAL FK2-M3D-5.5	1	PC.
	2		654198-1	INSULATED TERMINAL	1	PC.
D03	1		654509-0	CONNECTOR 2-SD	1	PC.
	2		654562-6	INSULATED CONNECTOR 2-SD 35115 (BTW:Field and Controller)	1	PC.

ACCESSORIES

- See catalogue or visit www.makita.ca for more optional accessories -

A01	1		165488-2	CONVENTIONAL WHEEL COVER F/6" (H:55MM)	1	PC.
	2		135172-3	TOOLLESS WHEEL COVER ASSY F/6" (H:55MM)	1	PC.
		INC.		Item No. 57	1	PC.
	3		135110-5	TOOLLESS WHEEL COVER ASSY F/6" (H:43.5MM)	1	PC.
		INC.		Item No. 57	1	PC.
	Opt.		165489-0	CONVENTIONAL WHEEL COVER F/6" (H:43.5MM)	1	PC.
	Opt.		165486-6	CUT-OFF WHEEL GUARD F/6"	1	PC.
A02			224361-6	INNER FLANGE 82	1	PC.
	Opt.		224390-9	INNER FLANGE 48 (FOR CUT-OFF)	1	PC.
A03			224568-4	LOCK NUT 5/8-45	1	PC.
	Opt.		224574-9	LOCK NUT 5/8-48 (FOR CUT-OFF)	1	PC.
A04	1		153504-2	GRIP 36 COMPLETE (TYPE 1)	1	PC.
	2		162258-0	VIBRATION PROOF GRIP (TYPE 2) - BULK	1	PC.
	3		194514-0	VIBRATION PROOF GRIP (TYPE 2) - PKG	1	PC.
A05			782424-9	LOCK NUT WRENCH 28	1	PC.
A06			A-80846	DEPRESSED CENTER WHEEL 150-36GRIT	1	PC.
	Opt.		741448-A	DEPRESSED CENTER WHEEL 150-24GRIT	1	PC.
A07			724117A25	THIN KERF CUT-OFF WHEEL 6"x1/16"X7/8" F/STEEL, 25/PK	1	PK
A08			193048-0	SANDING LOCK NUT 5/8-48	1	PC.
A09			743016-9	RUBBER PAD 125 F/6"	1	PC.
A10			194482-7	DUST COVER ATTACHMENT	1	PC.
A11			194483-5	LOOP HANDLE SET	1	SET
		INC.	416256-9	LOOP HANDLE	1	PC.
		INC.	450189-8	SPACER A	1	PC.
		INC.	450190-3	SPACER B	1	PC.
		INC.	783204-6	HEX WRENCH 6	1	PC.
		INC.	922453-2	HEX. SOCKET SCREW M8X30	2	PC.

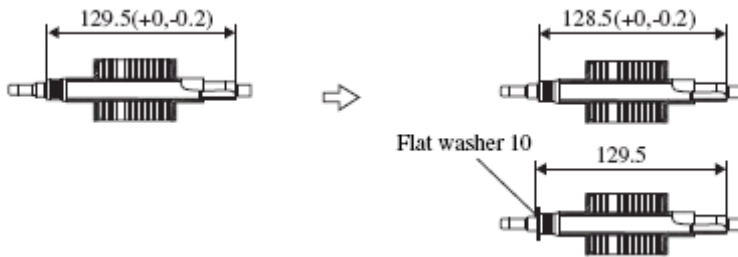
SERVICE CHANGES

1. Changes on Armature Assy

(T/I# 86782)

Item No.	Description	Type 1	Type 2
12	Armature Assy	513726-0	513796-9
61	Flat Washer	---	253828-7

Above parts are completely interchangeable as a set.



2. Changes on Wiring

See *Technical Information # Z12397 for Wiring Change.*